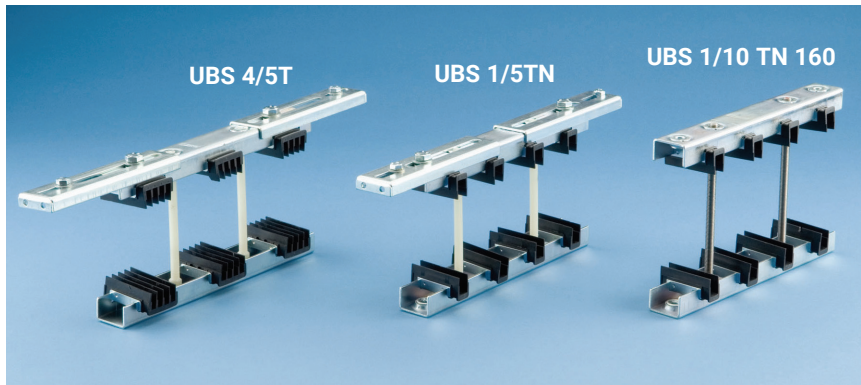


# Busbar Supports

## UNIVERSAL BUSBAR SUPPORTS

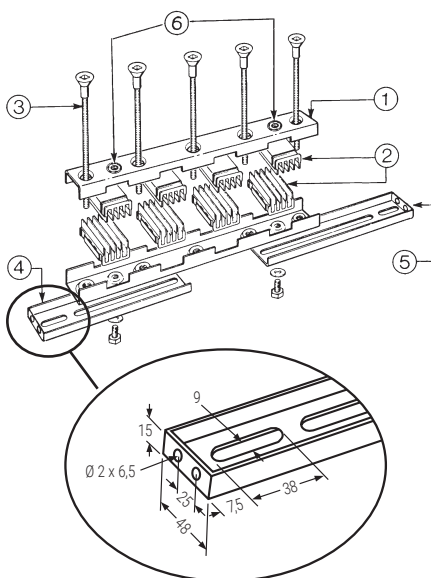


- Complete range of 15 supports
- Extremely robust construction
- Universal fixing system
- Time saving during mounting procedure
- Halogen free insulators
- Working temperature: -40°C up to 130°C
- Self extinguishing UL® 94 V0

## Technical Characteristics

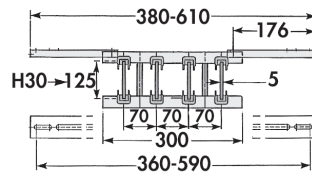
- 1) 2.5 mm reinforced and formed zinc plated steel sheet
- 2) Insulators in polyamide, glass fiber reinforced, halogen free
- 3) Busbars fixed and tightened using reinforced polyamide M10 screws (in stainless steel for bars 160 and 200 mm)
- 4) Adjustable distance between fixing centers
- 5) Distance between lateral fixing centers: 25 mm
- 6) Provision for direct fixing of a screen using 2 M10 integrated flush nuts

**T = 3 phases**  
**TN = 3 phases + neutral**



### UBS 1/5TN 1700A

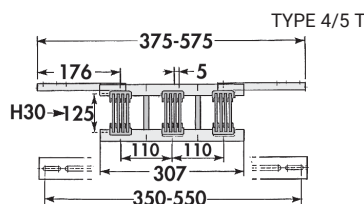
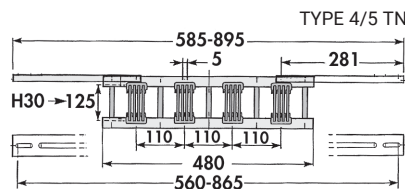
- 3 phase + neutral circuit
- Busbar thickness: 5 mm
- Busbar width: 30 to 125 mm



Part No.	Description	Number of Busbars per phase	kg
551000	UBS 1/5 TN	1	1.86

### UBS 4/5T & 4/5TN 3500A

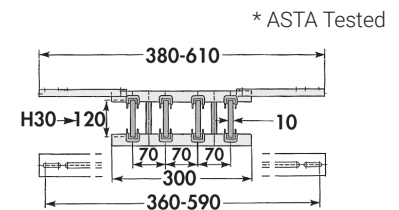
- 3 phase (4/5 T)
- 3 phase + neutral circuit (4/5 TN)
- Busbar thickness: 5 mm
- Busbar width: 30 to 125 mm



Part No.	Description	Number of Busbars per phase	kg
551010	UBS 4/5 TN	1-4	2.88
551020	UBS 4/5 T	1-4	2.22

### UBS 1/10TN 2250A

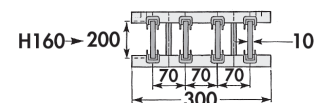
- 3 phase + neutral circuit
- Busbar thickness: 10 mm
- Busbar width: 30 to 120 mm



Part No.	Description	Number of Busbars per phase	kg
551060	UBS 1/10 TN*	1	1.86

### UBS 1/10TN 160 & 200 3500A

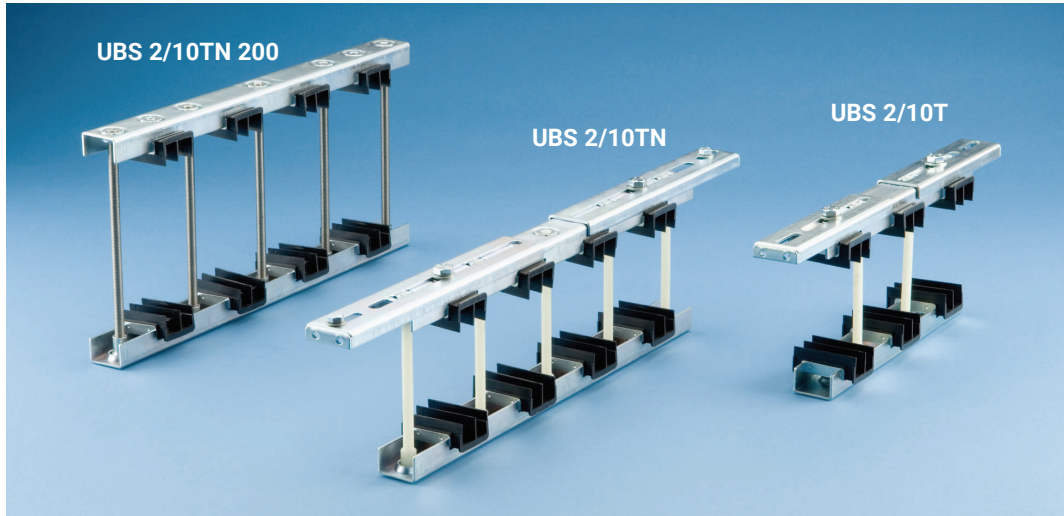
- 3 phase + neutral circuit
- Busbar thickness: 10 mm
- Busbar width: 160 to 200 mm
- Assembling without extension arms



Part No.	Description	Number of Busbars per phase	kg
561500	UBS 1/10 TN 160	1	2.30
561510	UBS 1/10 TN 200	1	2.40

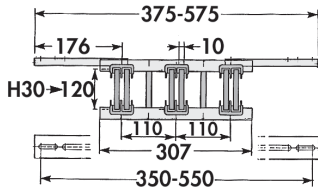
# Busbar Supports

## UNIVERSAL BUSBAR SUPPORTS



### UBS 2/10T 3600A

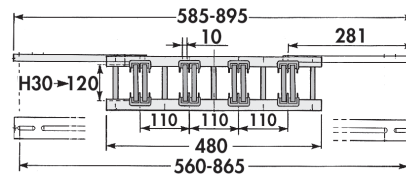
- 3 phase
- Busbar thickness: 10 mm
- Busbar width: 30 to 120 mm



Part No.	Description	Number of Busbars per phase			kg
551080	UBS 2/10 T	1-2	1		2.18

### UBS 2/10TN 3600A

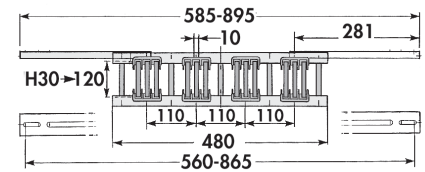
- 3 phase + neutral circuit
- Busbar thickness: 10 mm
- Busbar width: 30 to 120 mm



Part No.	Description	Number of Busbars per phase			kg
551070	UBS 2/10 TN	1-2	1		2.86

### UBS 3/10TN 4500A

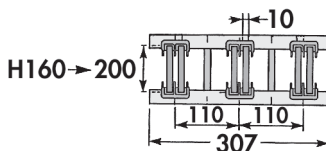
- 3 phase + neutral
- Busbar thickness: 10 mm
- Busbar width: 30 to 120 mm



Part No.	Description	Number of Busbars per phase			kg
551090	UBS 3/10 TN	1-3	1		2.90

### UBS 2/10T 160 & 200 5700A

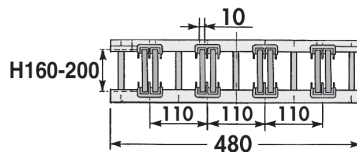
- 3 phase
- Busbar thickness: 10 mm
- Busbar width: 160 to 200 mm
- Assembling without extension arms



Part No.	Description	Number of Busbars per phase			kg
561520	UBS 2/10 T 160	1-2	1		2.60
561530	UBS 2/10 T 200	1-2	1		2.70

### UBS 2/10TN 160 & 200 5700A

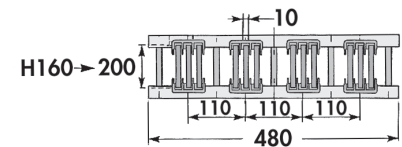
- 3 phase + neutral circuit
- Busbar thickness: 10 mm
- Busbar width: 160 to 200 mm
- Assembly without extension arms



Part No.	Description	Number of Busbars per phase			kg
561870	UBS 2/10 TN 160	1-2	1		3.40
561880	UBS 2/10 TN 200	1-2	1		3.50

### UBS 3/10TN 160 & 200 7400A

- 3 phase + neutral circuit
- Busbar thickness: 10 mm
- Busbar width: 160 to 200 mm
- Assembling without extension arms



Part No.	Description	Number of Busbars per phase			kg
561540	UBS 3/10 TN 160	1-3	1		3.40
561550	UBS 3/10 TN 200	1-3	1		3.50